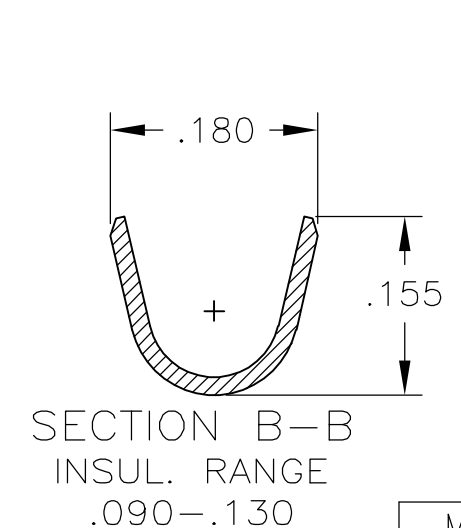
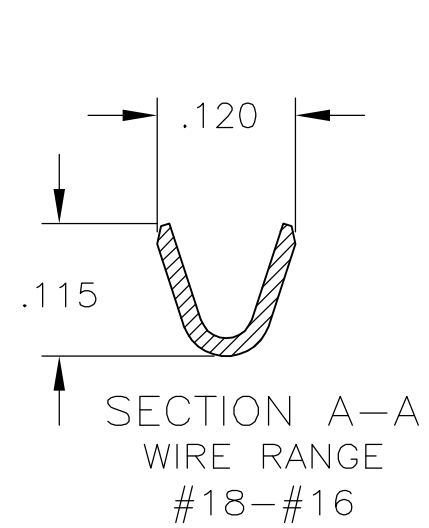
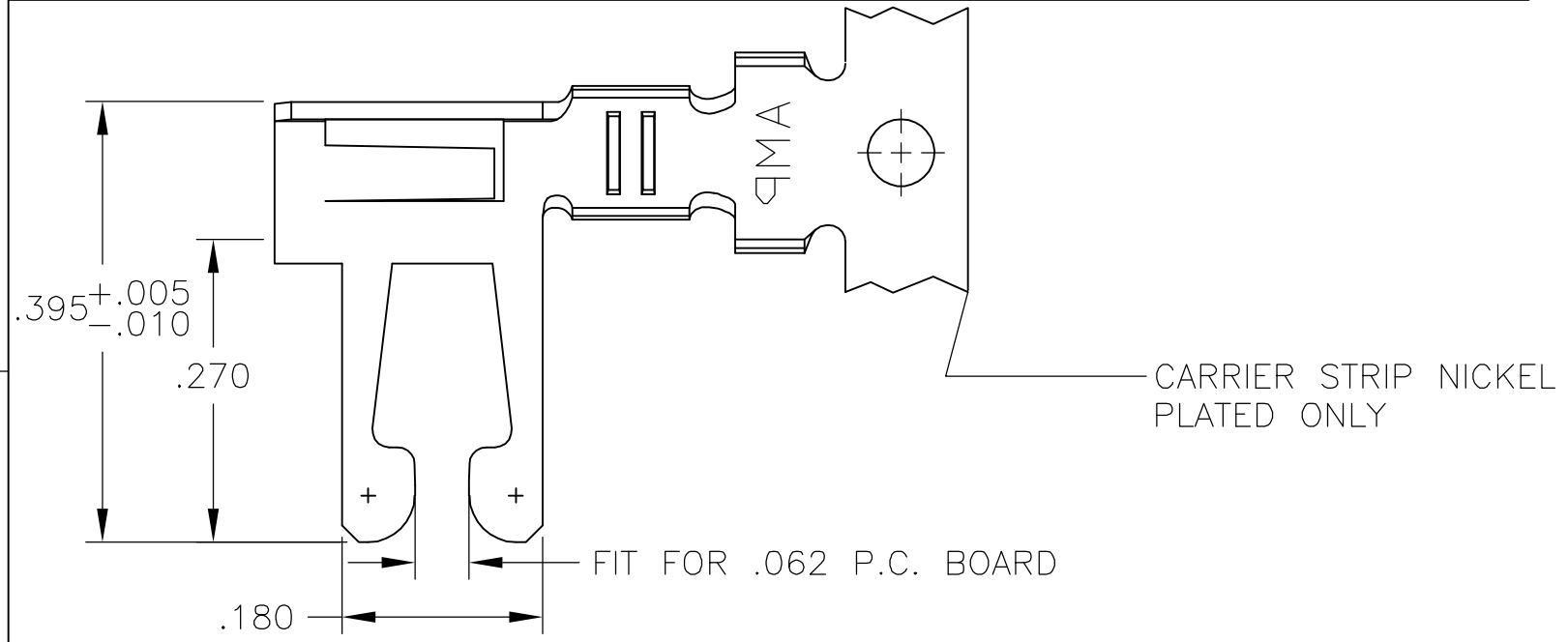


THIS DRAWING IS UNPUBLISHED. RELEASED FOR PUBLICATION
 © COPYRIGHT BY TYCO ELECTRONICS CORPORATION. ALL RIGHTS RESERVED.

LOC	DIST	REVISIONS					
AD	00	P	LTR	DESCRIPTION	DATE	DWN	APVD
			F1	ECO-05-014547	21APR2006	RB	MM



- TO BE USED IN HOUSING WITH INSULATION CAVITY SIZE OF .125 X .155.
- .000030 GOLD OVER .000050 NICKEL IN CONTACT AREA. .000050 NICKEL ON REMAINDER OF CONTACT.
- .000015 GOLD OVER .000050 NICKEL IN CONTACT AREA. REMAINDER OF CONTACT .000050 NICKEL.
- L-R FEED FOR MINI-APPL.

	MATTE TIN PLATE	4	530505-8
OBSOLETE		3	530505-7
OBSOLETE		2	530505-6
	TIN PLATE	4	530505-5
OBSOLETE		3	530505-4
OBSOLETE		2	530505-3
OBSOLETE	TIN PLATE		530505-2
	FINISH		PART NUMBER

THIS DRAWING IS A CONTROLLED DOCUMENT.		DWN	M.BINNER	03APR01	Tyco Electronics Corporation Harrisburg, PA 17105-3608					
DIMENSIONS: INCHES		CHK	M.MILLER	05APR01						
TOLERANCES UNLESS OTHERWISE SPECIFIED:		APVD	M.MILLER	05APR01	NAME					
0 PLC ± - 1 PLC ± - 2 PLC ± - 3 PLC ± .005 4 PLC ± .0005 ANGLES ± -		PRODUCT SPEC		CONTACT, 22-18 AWG, DUO-TYNE FLAG WITH TAPERED BEAMS						
MATERIAL		APPLICATION SPEC		RESTRICTED TO						
PHOS BRONZE		FINISH		SEE TABLE						
		WEIGHT	-		SIZE	A3	CAGE CODE	00779	DRAWING NO	C=530505
		CUSTOMER DRAWING			SCALE	6:1	SHEET	1 OF 1	REV	F1